

Advices for a successful installation

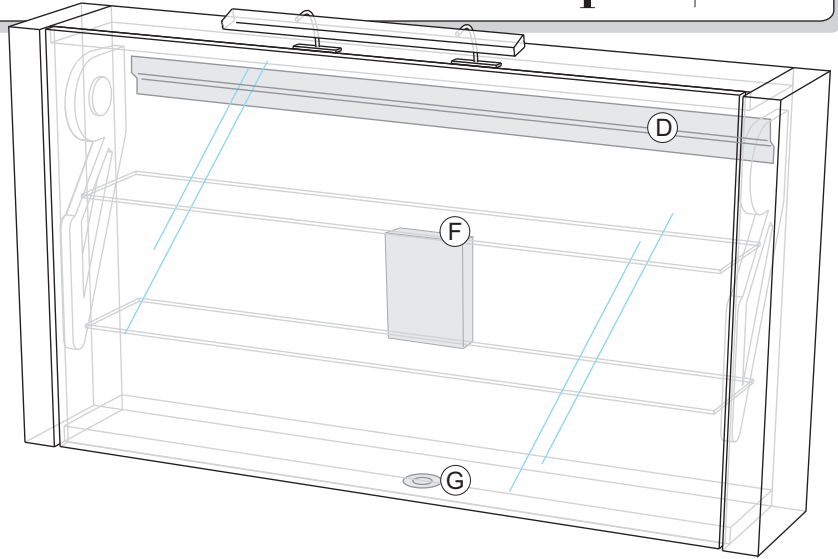
Mount the brackets 'A' and 'B' to the wall considering the height of the cabinet and the thickness of the washbasin.

Remove the large drawer and place the single block on the brackets 'A' and 'B'. Now fix the bracket to the wall through the bracket 'C'.

Fix the hanging-mirror to the wall through the bracket 'D'.

Position the washbasin and, after having fixed the drainage and the siphon, reassemble the large drawer.

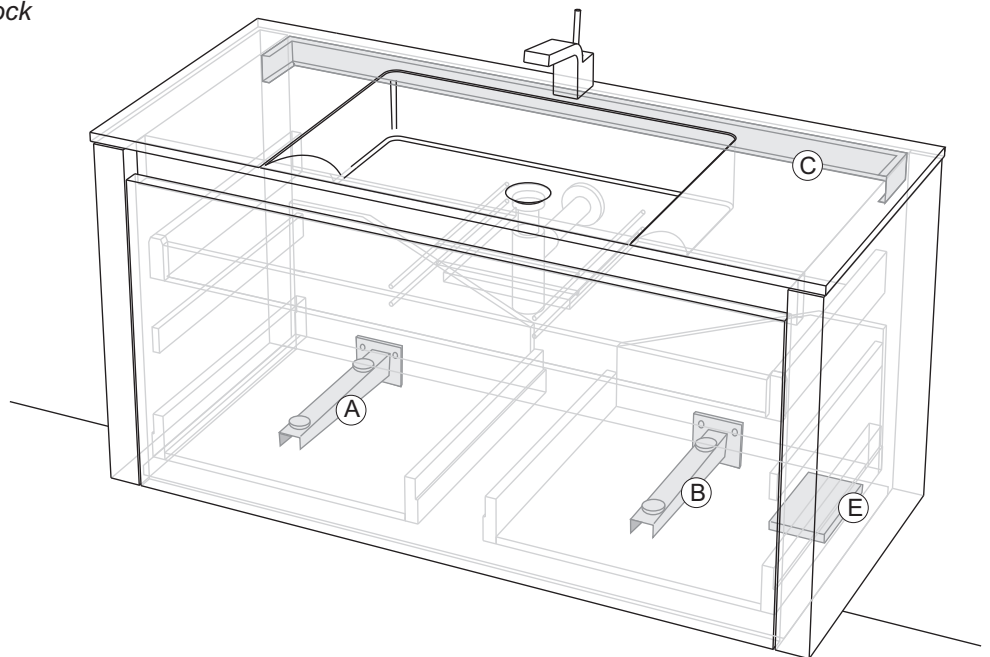
For the hanging-mirror and the single block cabinet with automatic assisted opening, connect the apposite processors 'E' and 'F' to the electrical system.



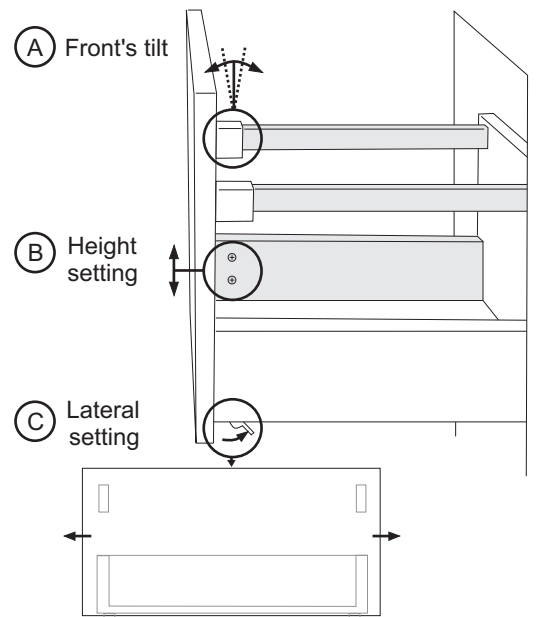
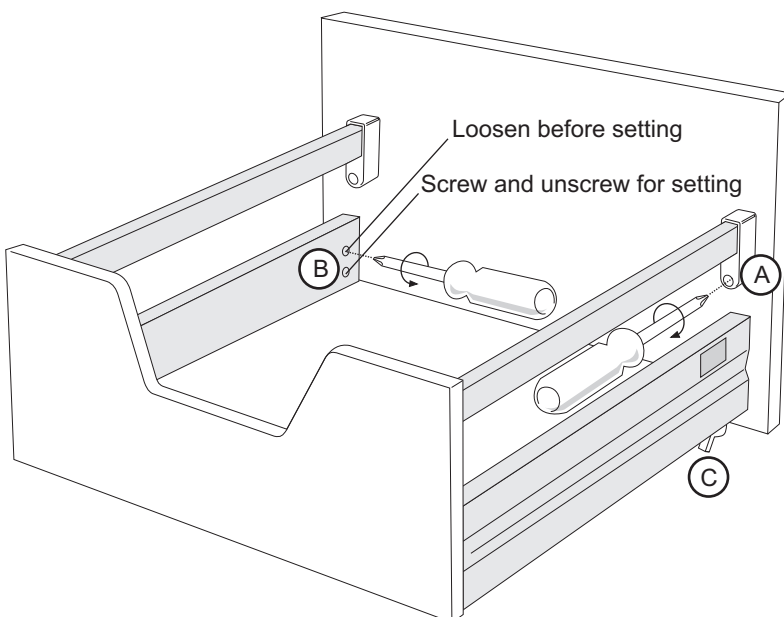
Automatic opening system

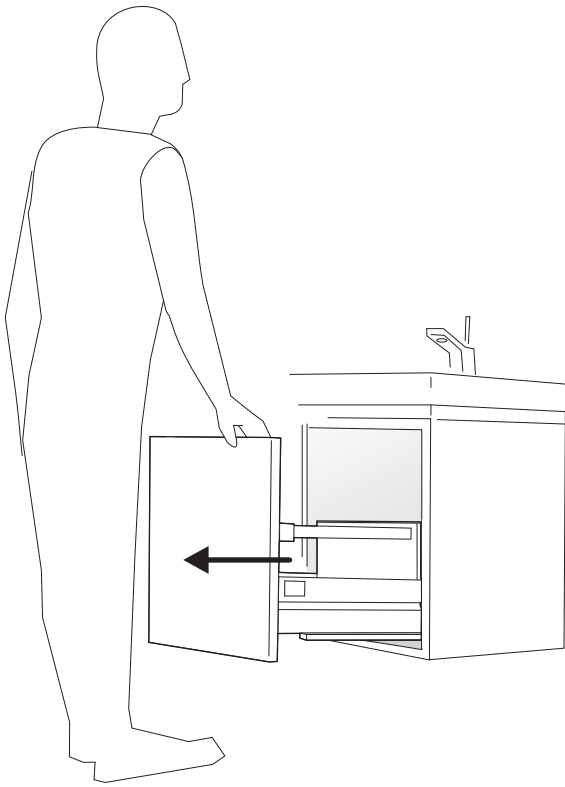
Wall cabinet with Electric Opening: pressing the 'G' button and the door will rise automatically. To close, press button again.

Single block with Sansotronic Opening: with a slight pressure the large drawer opens and closes automatically.

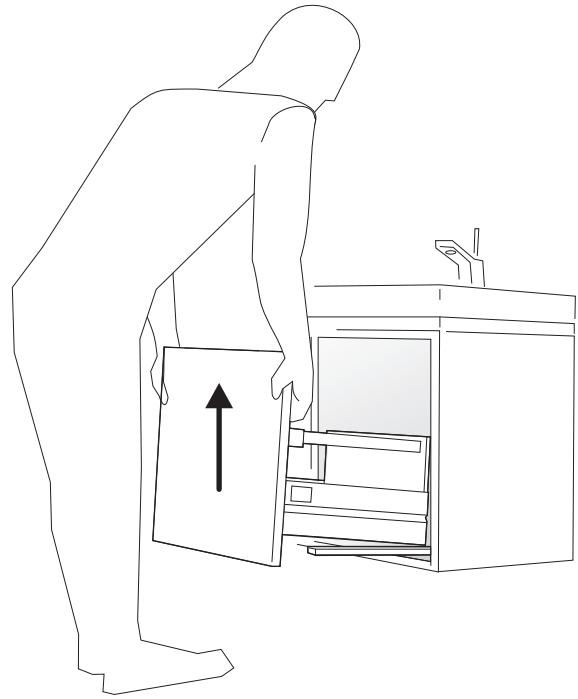


Large drawer's setting

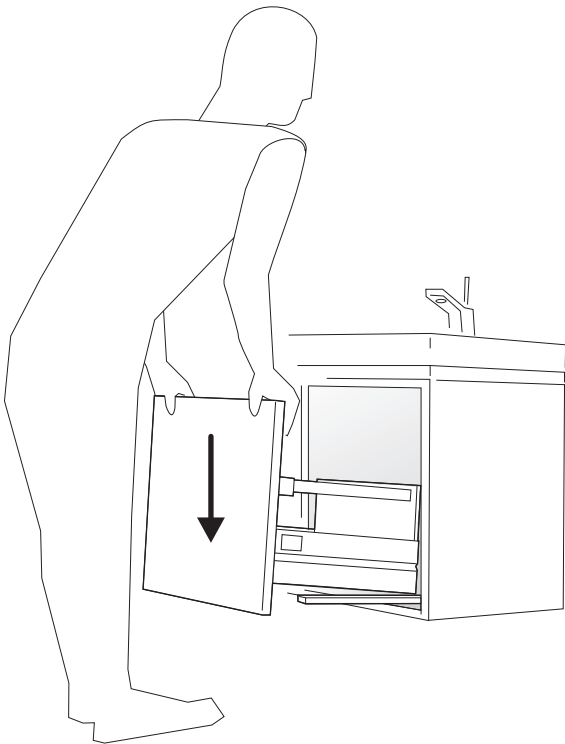




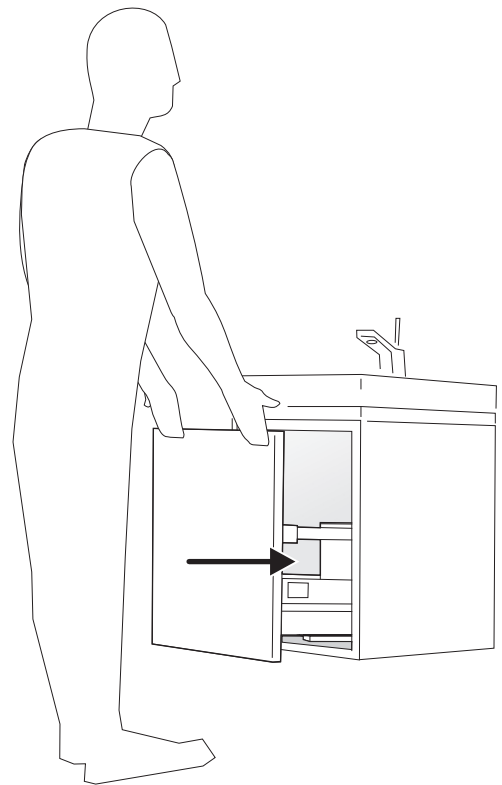
Mining completely the large drawer



Pull hard upward



Place the large drawer on the rails



Close to hook it