

Advices for a successful installation

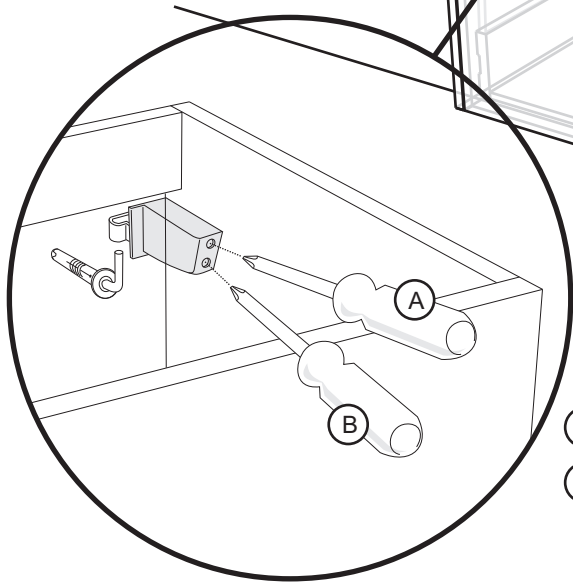
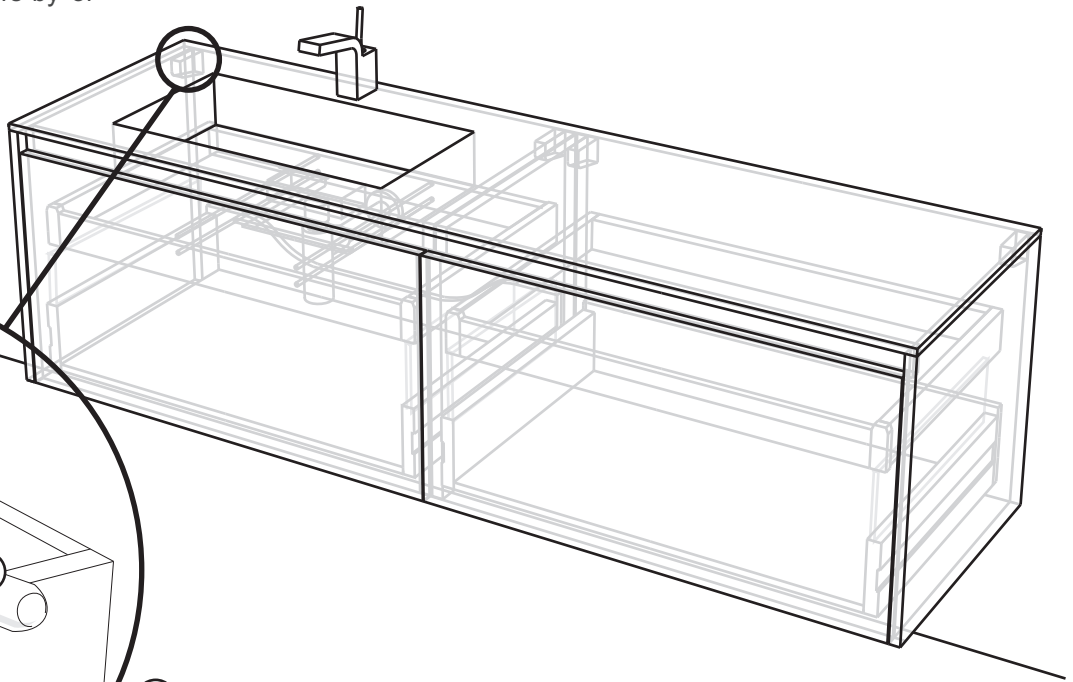
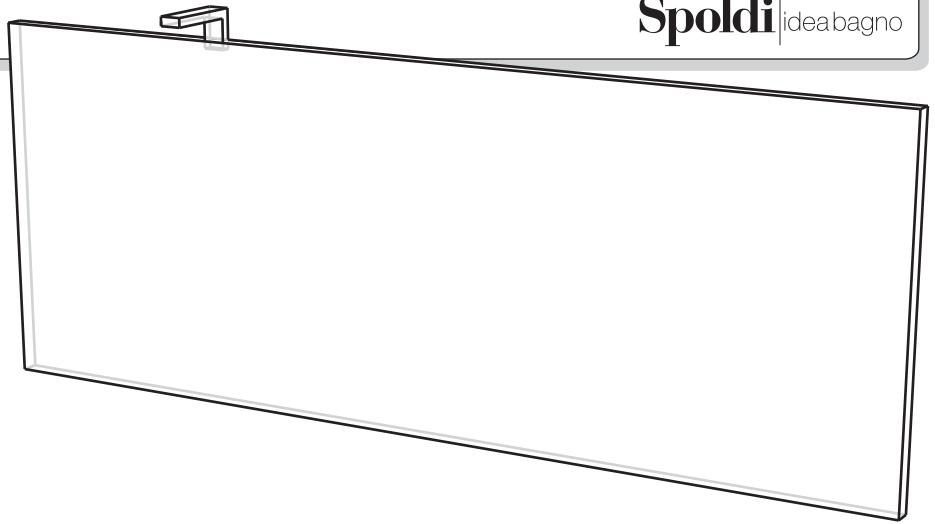
Pull out drawers and the large drawers (instructions on the back of the sheet) and fix the wall's elements through fisher.

Balance between their elements using the screws inside hooks "B".

Pierce the pilot-holes on the sides of the cabinet and joined together with the special ties "C".

Fix the floor by screwing to the roof of the base cabinets and to the passers-by of the washbasin's base.

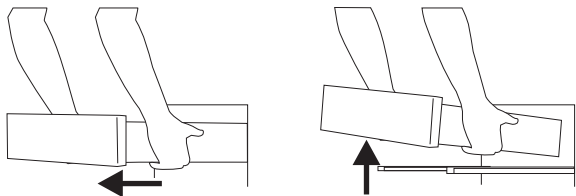
Position the washbasin and, after having fixed the drainage and the siphon, reassemble large drawers and drawers.



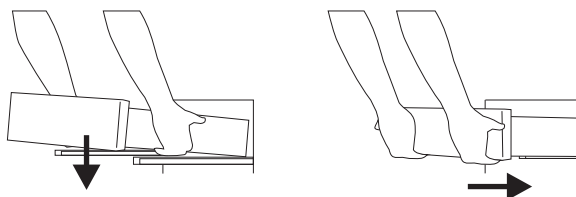
(A) Raises and lowers the cabinet

(B) Approaches and departs the cabinet from the wall

Mining and insertion of the drawer

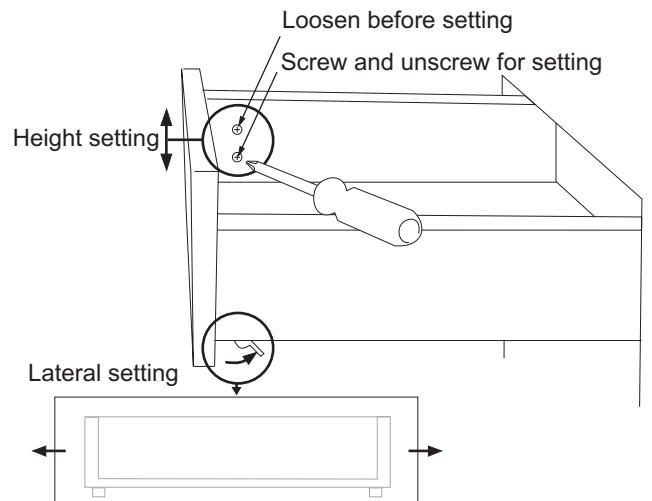


Mining: totally mines and pull hard upward

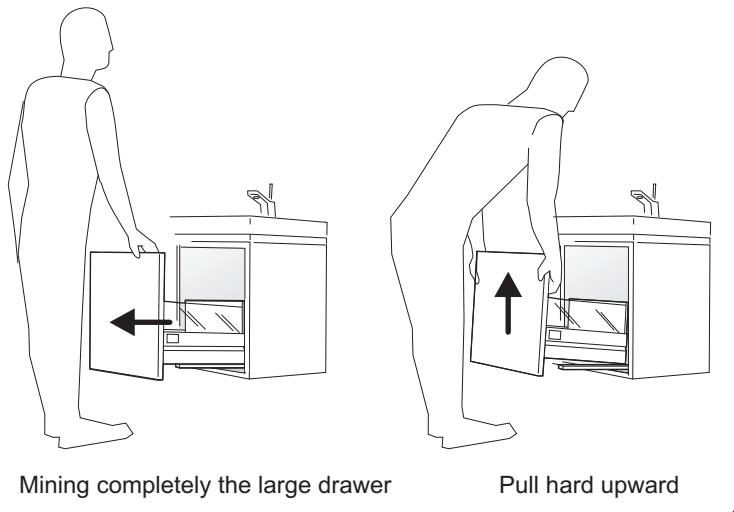


Insertion: support the rails and push until the end.

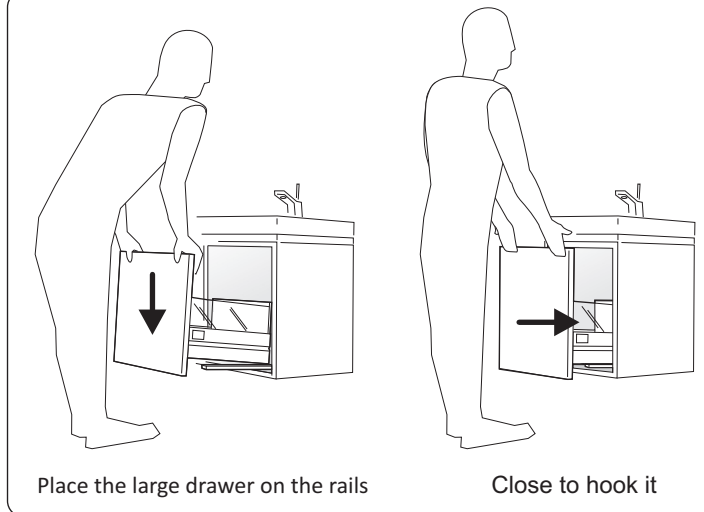
Drawer's setting



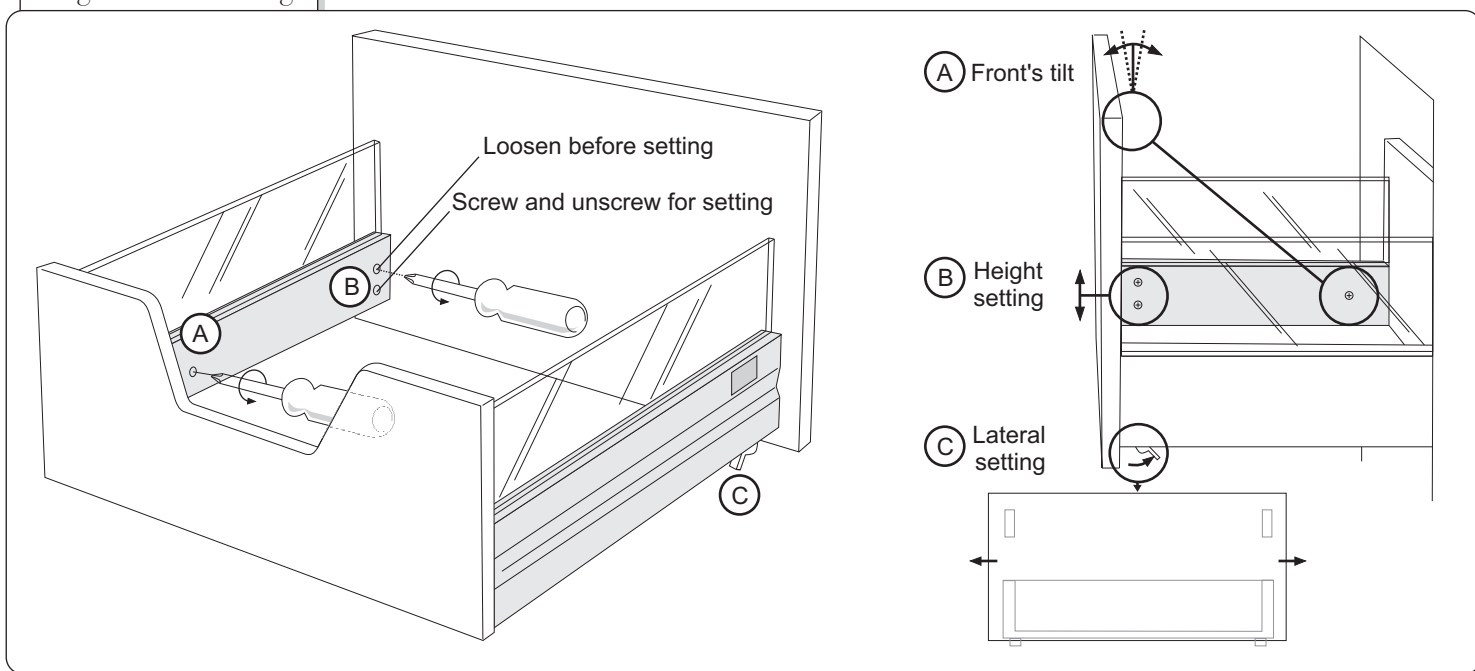
Large drawer's mining



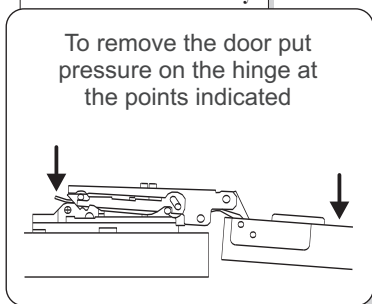
Large drawer's insertion



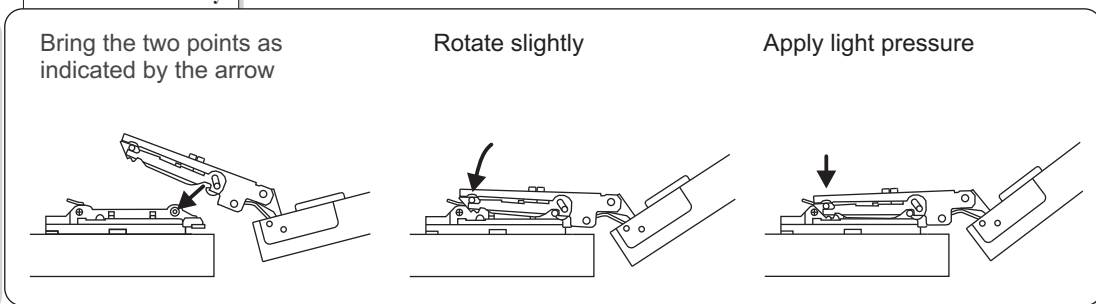
Large drawer's setting



Door's disassembly



Door's assembly



Door's setting

